

### FSRRO "Heritage&Tradition" 2024 "My Heart"

Angles for R.I. = 2.160

102 + 15 girdles = 117 facets

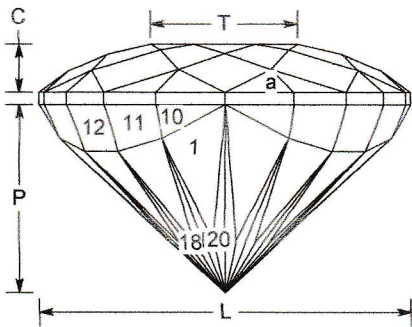
1-fold, mirror-image symmetry

96 index

L/W = 1.009 T/W = 0.401 U/W = 0.401

P/W = 0.512 C/W = 0.132

Vol./W<sup>3</sup> = 0.237



#### PAVILION

1	44.00°	03-09-15-21- 27-33-39-45- 51-57-63-69- 75-81-87-93
2	90.00°	07-89
3	90.00°	11-85
4	90.00°	15-81
5	90.00°	19-77
6	90.00°	23-73
7	90.00°	33-63
8	90.00°	43-53
9	90.00°	48
10	66.00°	07-89
11	67.10°	11-85
12	67.45°	15-81
13	67.10°	19-77
14	66.00°	23-43-53-73
15	67.60°	48
16	43.14°	05-07-23-25- 41-43-53-55- 71-73-89-91
17	43.20°	29-31-35-37- 59-61-65-67
18	43.10°	11-13-17-19- 77-79-83-85
19	43.08°	47-49
20	43.20°	01-95

#### CROWN

a	42.00°	07-89
b	39.48°	11-85
c	38.42°	15-81
d	38.54°	19-77
e	37.54°	23-73
f	31.57°	33-63
g	30.97°	43-53
h	41.78°	48
i	24.30°	96
j	31.65°	13-83
k	31.60°	21-75
l	23.53°	36-60
m	23.11°	39-57
n	18.35°	05-91
o	22.72°	17-79
p	17.30°	29-67
q	22.03°	40-56
r	13.06°	96-24-36-48- 60-72
s	11.17°	12-84
w	0.00°	Table

Material: Cubic Zirconia

Length ( L ) 12,0 mm +/- 0,2 mm

Girdle 0,5 mm +/- 0,2 mm

D:\competition20242.gem